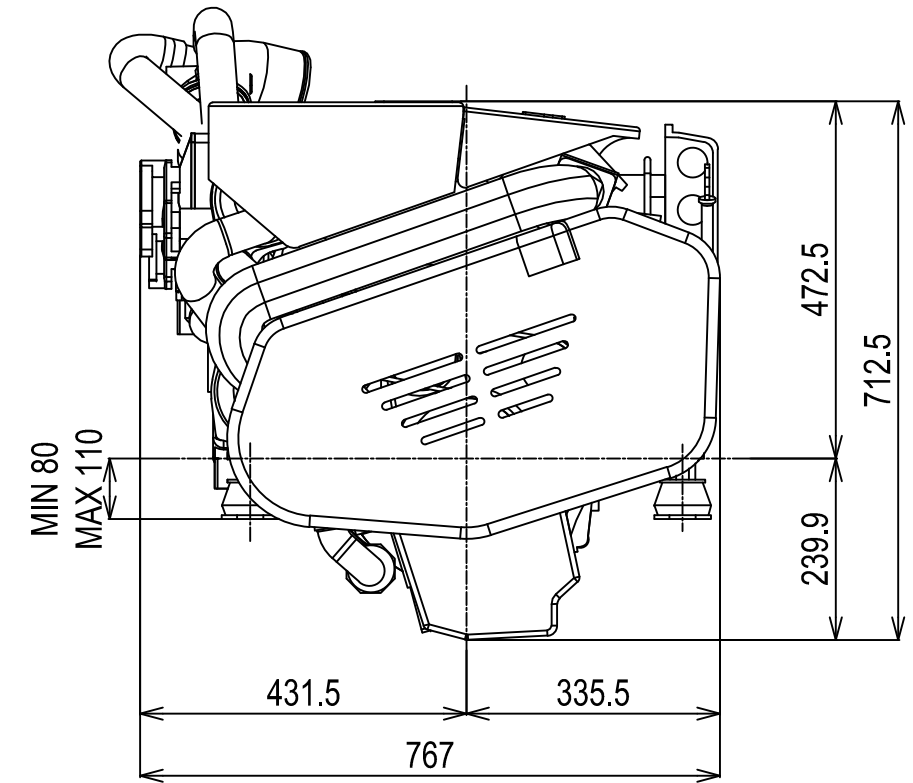
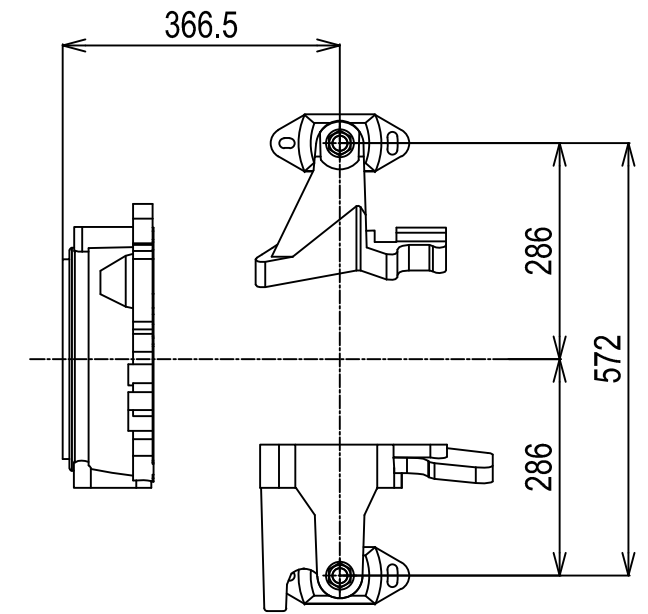
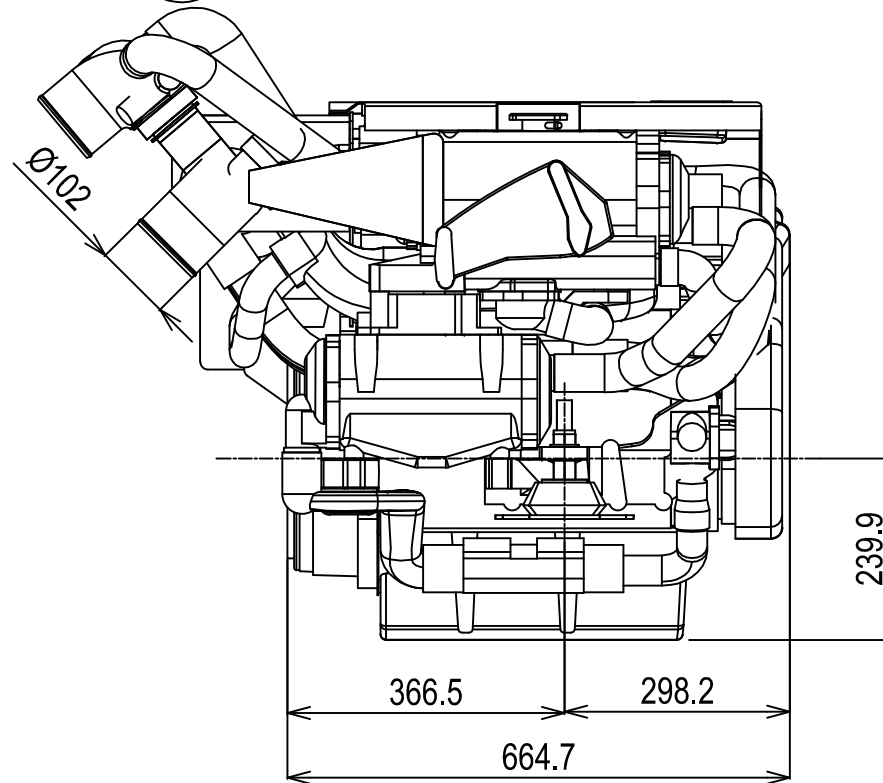
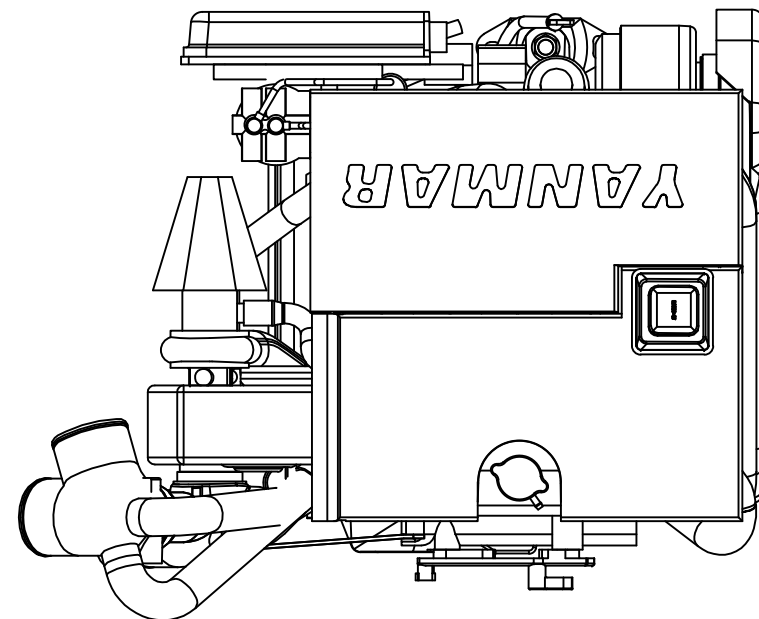
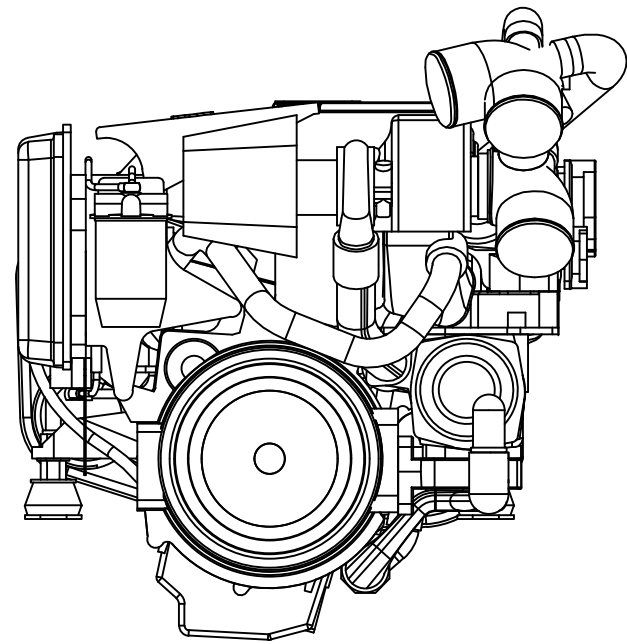
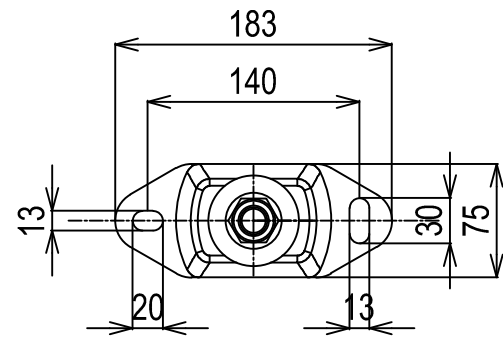


**DETAIL OF MOUNTING BLOCK**



**NOTE:**

- 1.DWG.SHOWS MOUNTING BLOCKS AT ORIGINAL HEIGHT.  
ENGINE WEIGHT WILL COMPRESS BLOCKS BY 4MM(APPROX).
- 2.MOUNTING BLOCKS ARE EQUIPPED FOR STANDARD ACCESSORY.
- 3.☉ SHOWS THE CENTER OF GRAVITY.
- 4.FOR ADDITIONAL INSTALLATION INFORMATION AND SPECIFICATIONS  
PLEASE REFER TO THE YANMAR ENGINE INSTALLATION MANUAL

Engine:	4BY3-180(150)_BOBTAIL	Release:	03-06-2008
Scale:	1:10	Date:	01-04-2013
		Dimensions:	mm

