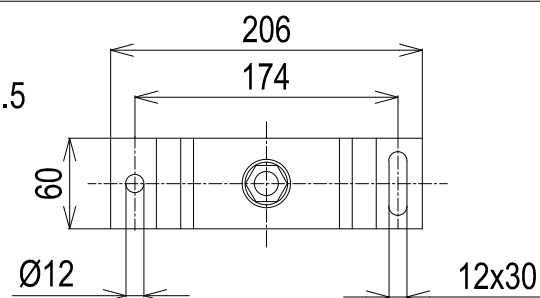
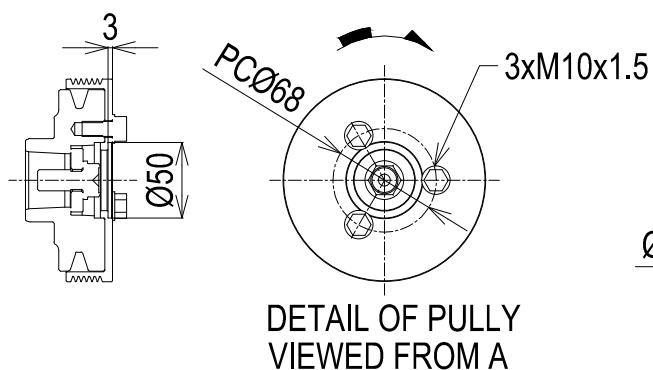
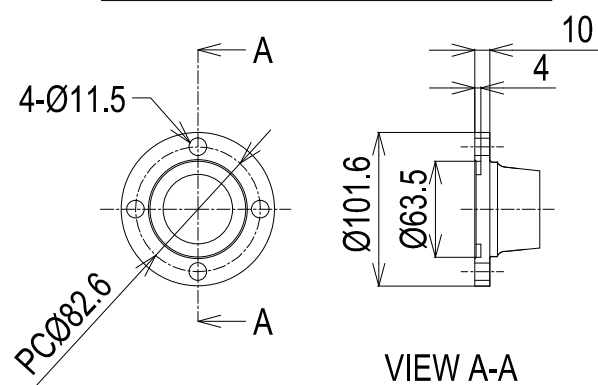


DETAIL OF COUPLING

DIRECTION OF ROTATION

DETAIL OF MOUNTING BLOCK



**NOTE:**

- 1.DWG.SHOWS MOUNTING BLOCKS AT ORIGINAL HEIGHT. ENGINE WEIGHT WILL COMPRESS BLOCKS BY 4MM(APPROX).
- 2.MOUNTING BLOCKS ARE EQUIPPED FOR STANDARD ACCESSORY.
- 3.● SHOWS THE CENTER OF GRAVITY.
- 4.THE FIGURES MARKED WITH \* SHOW THE DIMENSIONS WITH U-MIXING ELBOW, OR OPTIONAL COUPLING.
- 5.FOR ADDITIONAL INSTALLATION INFORMATION AND SPECIFICATIONS PLEASE REFER TO THE YANMAR ENGINE INSTALLATION MANUAL

Engine: 4JH4-HTE\_ZF25A

Release: 26-11-2012

Scale: 1:10

Date: 01-06-2013

Dimensions: mm

